

FLEX-LOC



DESCRIPTION

A flexible fixing resistant to oils, the majority of solvents and ageing.

OPERATION

The design of the FLEX-LOC mount gives the following basic characteristics :

- the rubber works in :
 - compression (axial);
 - shear (radial);
 - compression/shear according to the fixing method.

Advantages

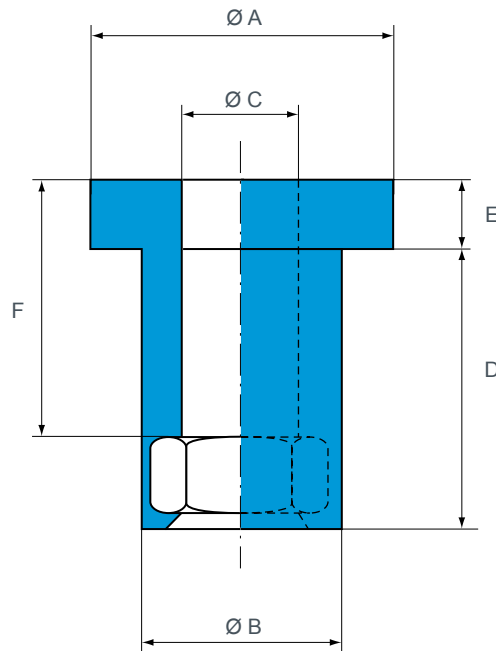
- 80% reduction at 150 Hz of vibrational energy transmitted from normal structural frequencies.
- Simple and economical.
- Simple to fix.
- Light weight.

APPLICATIONS

FLEX-LOC are suitable for the fixing of sheets, frameworks, engines, ventilators, electronic equipment, computers, etc.

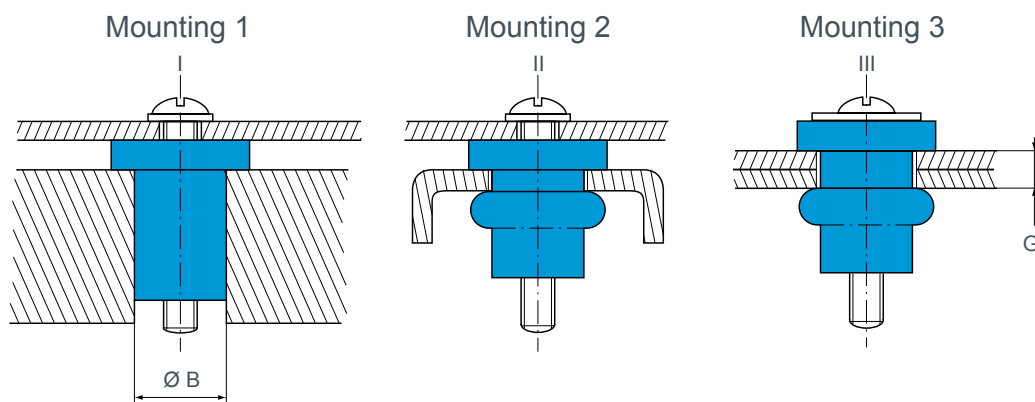
They have, moreover, a function of insulation against the structure borne noises, unlike other fasteners.

DIMENSIONS



Paulstra reference	Barry Control reference	Nut	Ø A (mm)	Ø B (mm)	C (mm)	D (mm)	E (mm)	F (mm)
530909 03	Q3	M3	9	7,2	3,4	9	2,5	8
530909 04	Q4	M4	12	9,3	4,4	11,5	3	10,5
530909 05	Q5	M5	15	10,2	5,4	14,5	3,5	13
530909 06	Q6	M6	18	12,7	6,4	17	4	15
530909 07	Q8	M8	24	16,5	8,4	22	5	19,5

OPERATING CHARACTERISTICS



Paulstra reference	Clearance hole Ø B (mm)	Plate thickness G (mm)	Torque range		Static load (daN)		
			1 (Nm)	2 or 3 (Nm)	1	2 or 3	
					Compression / shear	Compression	Shear
530909 03	7,2 - 7,5	0,6 - 2,5	0,5	0,4	1	5	2,5
530909 04	9,3 - 9,6	0,8 - 3,3	0,6	0,5	1	7	3,5
530909 05	10,2 - 10,5	0,8 - 4,3	1,0	0,6	1,5	10	5
530909 06	12,7 - 13,0	1,5 - 5,0	3,5	0,9	3	14	7
530909 07	16,5 - 16,8	1,5 - 6,5	4,0	1,8	5	28	14

* Barry Controls part numbers are given for reference only.

PAULSTRA - 61 rue Marius AUFAN - 92309 Levallois-Perret Cedex - France - T. +33 1 40 89 53 31 - F. +33 1 47 25 28 96 - www.paulstra-industry.com